

BALDOR® • RELIANCE 

Product Information Packet

IDDRPM321506R1

150HP,1150,460V,RL3203,DPFV,F1

Part Detail							
Revision:	B	Status:	PRD/A	Change #:		Proprietary:	No
Type:	AC	Elec. Spec:	L0339A	CD Diagram:	422927-001	Mfg Plant:	
Mech. Spec:		Layout:	619691-001	Poles:	04	Created Date:	11-30-2015
Base:		Eff. Date:	10-24-2019	Leads:			

Specs			
Catalog Number:	IDDRPM321506R1		
Enclosure:	DPFV		
Frame:	RL3203Z		
Frame Material:	Exposed Laminations		
Output @ Frequency:	150.000 HP @ 40 HZ		
Synchronous Speed @ Frequency:	1200 RPM @ 40 HZ		
Voltage @ Frequency:	460.0 V @ 40 HZ		
Agency Approvals:	CCSA US		
	UR		
Auxillary Box:	No Auxillary Box		
Base Indicator:	Rigid		
Bearing Grease Type:	Polyrex EM (-20F +300F)		
Current @ Voltage:	180.000 A @ 460.0 V		
Duty Rating:	CONT		
Feedback Device:	NO FEEDBACK		
Frame Prefix:	RL		
Heater Indicator:	No Heater		
Insulation Class:	H		

IP Rating:	NONE		
Mounting Arrangement:	F1		
Product Family:	General Industrial		
Pulley End Bearing Type:	Ball		
Pulley Face Code:	Standard		
Shaft Ground Indicator:	No Shaft Grounding		
Shaft Rotation:	Reversible		
Motor Standards:	NEMA		
Thermal Device - Bearing:	None		
Thermal Device - Winding:	Normally Closed Thermostat		

Nameplate 000613006NN										
	DUTY	HP	RPM	AMPS	VOLTS	HZ				
	CONT	150	1170	180	460	40				
	CONT	150	1600	177	460	55				
	CONT	75	3600	90	460	121.7				
CAT.NO.	IDDRPM321506R1		SPEC. NO.	R32-A000-0008						
SER.NO.			FR	RL3203Z	INSUL	H				
PH.	3		MAX SAFE SPEED	4000	AMB.	40			MIN. AMB.	-25
DESIGN NO.	L0339A		TYPE		ENCL.	DPG-FV				
S.F.	1.00		D.E. BRG.	85BC02J30X						
ENCL MOD			O.D.E. BRG.	65BC03J30X						

Parts List		
Part Number	Description	Quantity
WS303310	WS R32-A000-0008	1.000 EA
RA299519	RA R32-A000-0008	1.000 EA
000692000FP	NP, WARNING LIFT INSTRUCTIONS	1.000 EA
000692000VD	LABEL WARNING	1.000 EA
418057747A	METAL FASTENER	8.000 EA
000613006NN	RPM AC WITH CERTIFIED LOGOS	1.000 EA
422927001	C/D LABEL	1.000 EA
807530004AA	BRKT, ODE RL320	1.000 EA
807530003AA	BRKT, DE RL320	1.000 EA
HA4054	SHORT T-DRAIN FITTING, .125" N.P.T.	1.000 EA
HA4054	SHORT T-DRAIN FITTING, .125" N.P.T.	1.000 EA
004824015A	GREASE POLYREX EM	0.900 LB
400638001AD	WAVEN - 400 (Customer number 43699)	1.000 EA
418150003A	GREASE FITTING CAP	2.000 EA
035000001A	ALFTG 1/8" 1610-BL	1.000 EA
035000001A	ALFTG 1/8" 1610-BL	1.000 EA
036100090KA	HSHCS SHAFT BLOCK	4.000 EA
036100090KA	HSHCS SHAFT BLOCK	4.000 EA
036140001E	EYEBOLT	2.000 EA
034690002AL	1/4 SQ.HD.PIPE PLUG	1.000 EA
034690002AL	1/4 SQ.HD.PIPE PLUG	1.000 EA
036500013AB	HX NUT,ODE BRKT	4.000 EA
036500013AB	HX NUT,ODE BRKT	4.000 EA
708532004A	L320 AIR BAFFLE	1.000 EA

Parts List (continued)		
Part Number	Description	Quantity
609830005AAK	TBOLT	2.000 EA
609830005AAM	TBOLT	2.000 EA
610490001AF	1.5HP,3450//2850RPM,3PH,60//50HZ,56C,352	1.000 EA
036000012JB	M8-1.25 X 12MM HXHDC	3.000 EA
611965001A	WHEEL, BLOWER	1.000 EA
417733004J	GASKT	2.000 EA
611917002H	GASKT	1.000 EA
036000020JB	HHCS M8-1.25X20L PLTD-250	6.000 EA
032018006CK	HHCS 3/8-16X3/4L PLATED	4.000 EA
000613006NT	NAME PLATE IEC	1.000 EA
417733036C	GASKT,C/BOX BACKPLATE,REF 706310063B	1.000 EA
418057256C	HHCS M10 25MM 440 IEC	1.000 EA
036600009AB	METRIC FLWASH M8 PLATED	3.000 EA
032018004DK	HHCS,DRIP COVER	4.000 EA
706310389B	ENTRY PLATE 706310389AB	1.000 EA
417733014C	GASKT (REK P/N 187215)	1.000 EA
036000020JD	HHCS M8X20MM LONG 304S.S	5.000 EA
418018074A	GROUND LABEL G100 METRIC 160 D.C.	1.000 EA
708528004F	HOUSING, BLOWER	1.000 EA
410978010E	INLET FLGE	1.000 EA
410978019A	SCREEN, INLET FLANGE	1.000 EA
036000045JB	M8-1.25 X 45MM HXHCS	4.000 EA
036620010AB	M10 EXT. TOOTH LK WASHER	1.000 EA
034017014AB	LCKW 3/8 STD. PLATED	4.000 EA

Product Information Packet: IDDRPM321506R1 - 150HP,1150,460V,RL3203,DPFV,F1

613439051A	ADAPT,CBOX,RL320	1.000 EA
418014004A	609185004cDPT/BOX	1.000 EA
422919085	HHCVR KIT,C320,DE,SOLID, XT	1.000 EA
422919088	HHCVR KIT,C320,DE,LOUVERED,S/P, XT	1.000 EA
422919088	HHCVR KIT,C320,DE,LOUVERED,S/P, XT	1.000 EA
422919370	HHCVR KIT,L320,DE,X/T,C/BOX MTG	1.000 EA
422919085	HHCVR KIT,C320,DE,SOLID, XT	1.000 EA
036600008AD	FLTWSHR,T BLK SPT	8.000 EA
706310063B	CBOX (REK)	1.000 EA
706310058B	CBCVR(REK P/N 187296)	1.000 EA
417733013B	GASKT (REK P/N 189486)	1.000 EA
036000020HD	HHCS M6X20MM LONG 304S.S	8.000 EA
036000012KB	M10 1.50 X 12MM HXHDCS	4.000 EA
706305301A	GUARD, SHAFT	1.000 EA
034180034JA	KEY 3/4X3/4X4-1/4 L	1.000 EA
000640000P	TAG WINDING THERMOST	1.000 EA
004824007K	SPECIAL PAINT	0.300 EA
418018116	WARNING PLATE	1.000 EA
415000103E	T/LUG #4AWG-1/0AWG W/HOLE FOR .375 BOLT	1.000 EA

REL S.O.	-	VOLTS	460	ENCLOSURE	DPFV	WYE	CONN EQ	CKT OHMS	PER PHASE
FRAME	RL3203	AMPS	175.44	MAX SAFE RPM	4000	(AT BASE RATING, 25 °C)			
HP	150	DUTY	CONT	IM (AMPS)	57.23	R1	.0324	X1	.161
BASE SPEED	1170	S.F.	1.0	P.F. @NL/FL	.04/.883	R2	.0270	X2	.157
PHASE/HERTZ	3/40	AMB °C/INSUL	40/H	WK ² (lb-ft ²)	21.3			XM	4.79


RATED FULL LOAD DATA

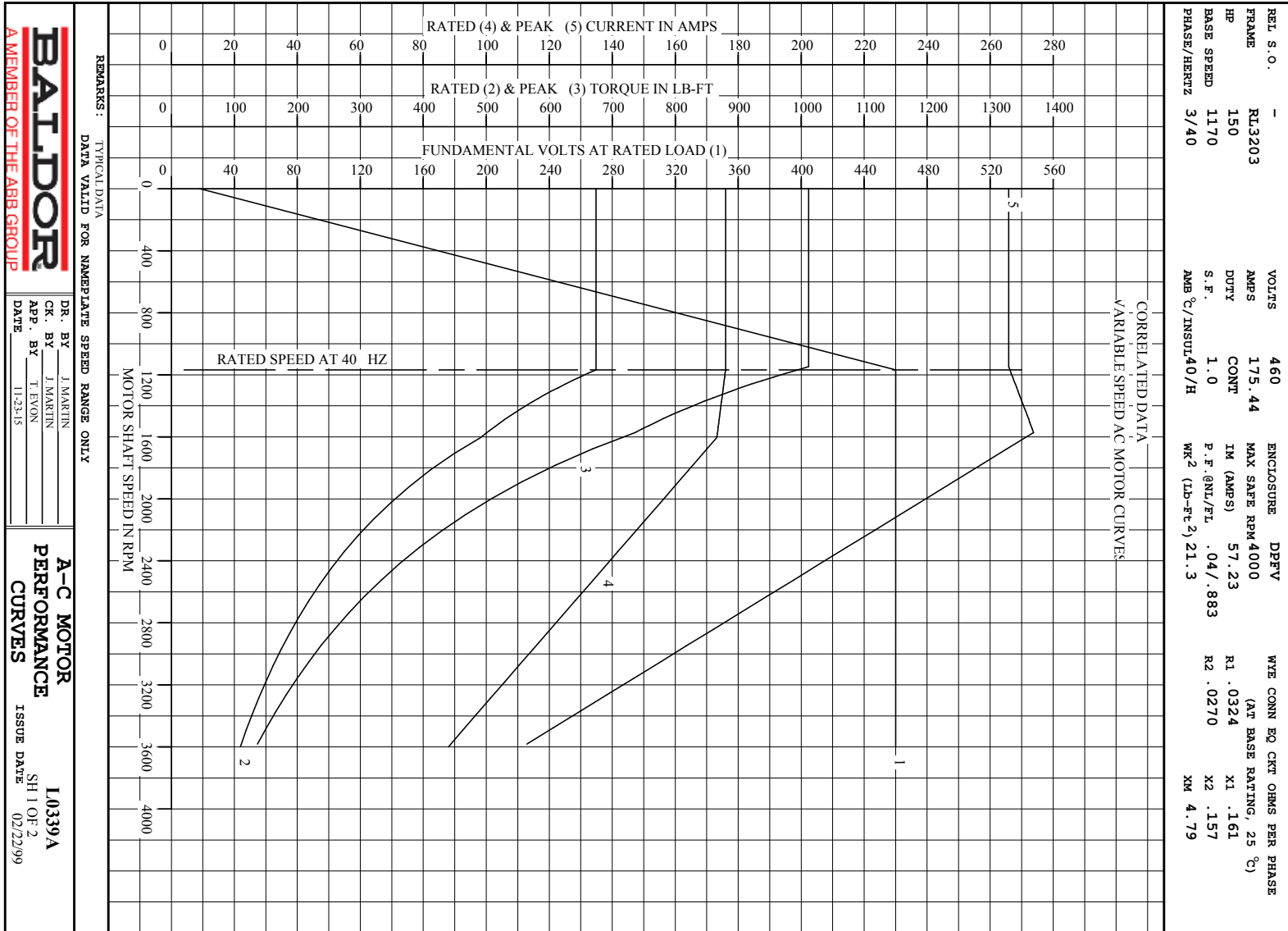
	RPM	HP	TORQUE LB-FT	FUND VOLTS	FREQ-HZ	AMPS
BASE SPEED	1168	150	674	460	40	176
MAX SPEED	3599	75.0	109	460	121.7	88.0
MIN SPEED	0	0	674	18.2	1.060	176

LOAD PERFORMANCE AT BASE SPEED

	RPM	HP	TORQUE LB-FT	FUND VOLTS	FREQ-HZ	AMPS
NO LOAD	1200	0	0	460	40	55.6
1/4	1193	38.6	170	460	40	70.8
1/2	1185	77.1	342	460	40	101
3/4	1176	116	516	460	40	138
FULL LOAD	1168	150	674	460	40	176
O/L	1148	221	1012	460	40	266

REMARKS: TYPICAL DATA
CORRELATED DATA

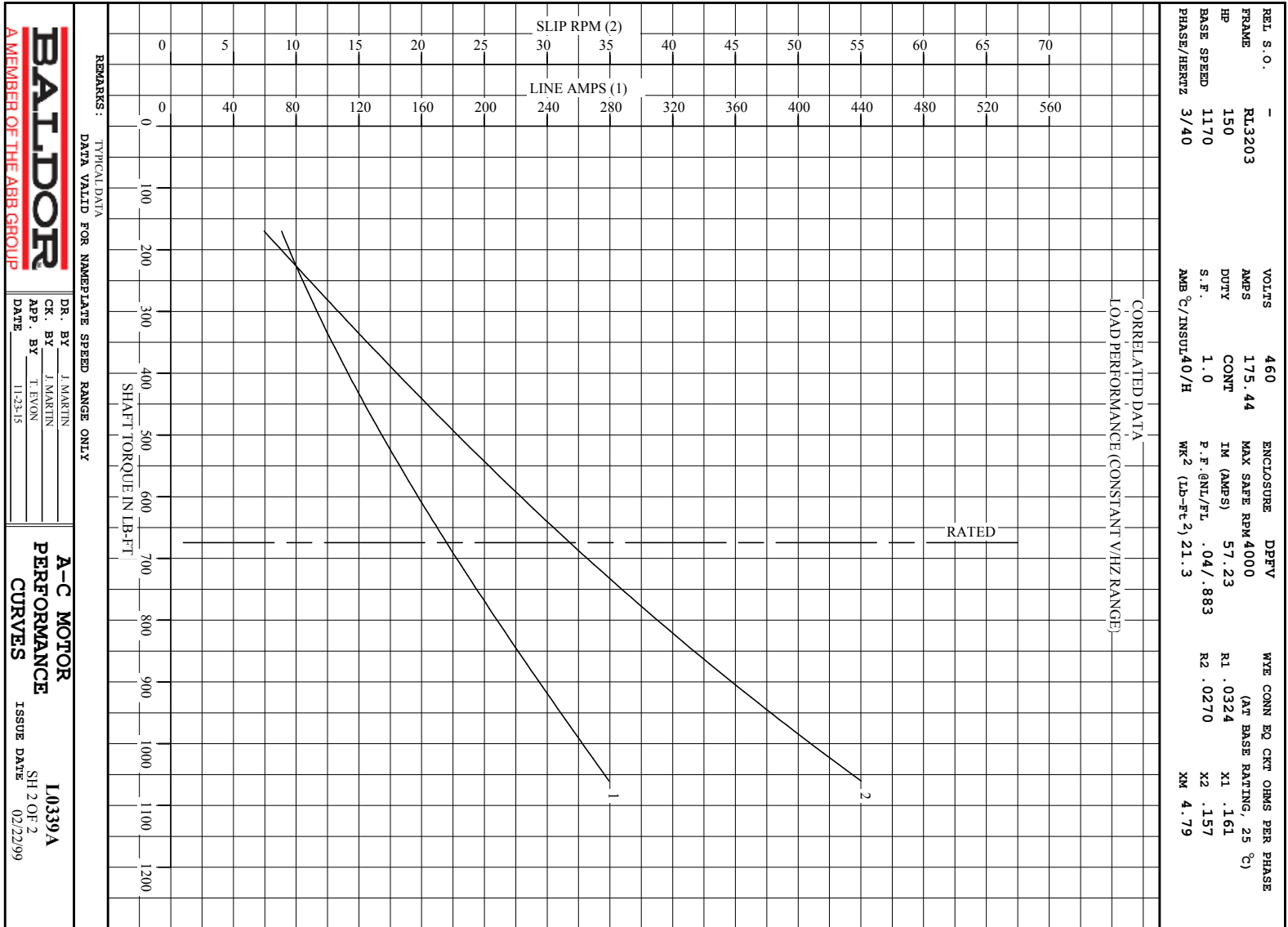
 <p>A MEMBER OF THE ABB GROUP</p>	DR. BY	J. MARTIN	<p>A-C MOTOR</p> <p>PERFORMANCE</p> <p>DATA</p>	
	CR. BY	J. MARTIN		
	APP. BY	T. EVON		
	DATE	11-23-15		
		I0339A	ISSUE DATE	02/22/99



BALDOR
 A MEMBER OF THE ABB GROUP

DR. BY J. MARTIN
 CR. BY J. MARTIN
 APP. BY T. EVON
 DATE 11-2-15

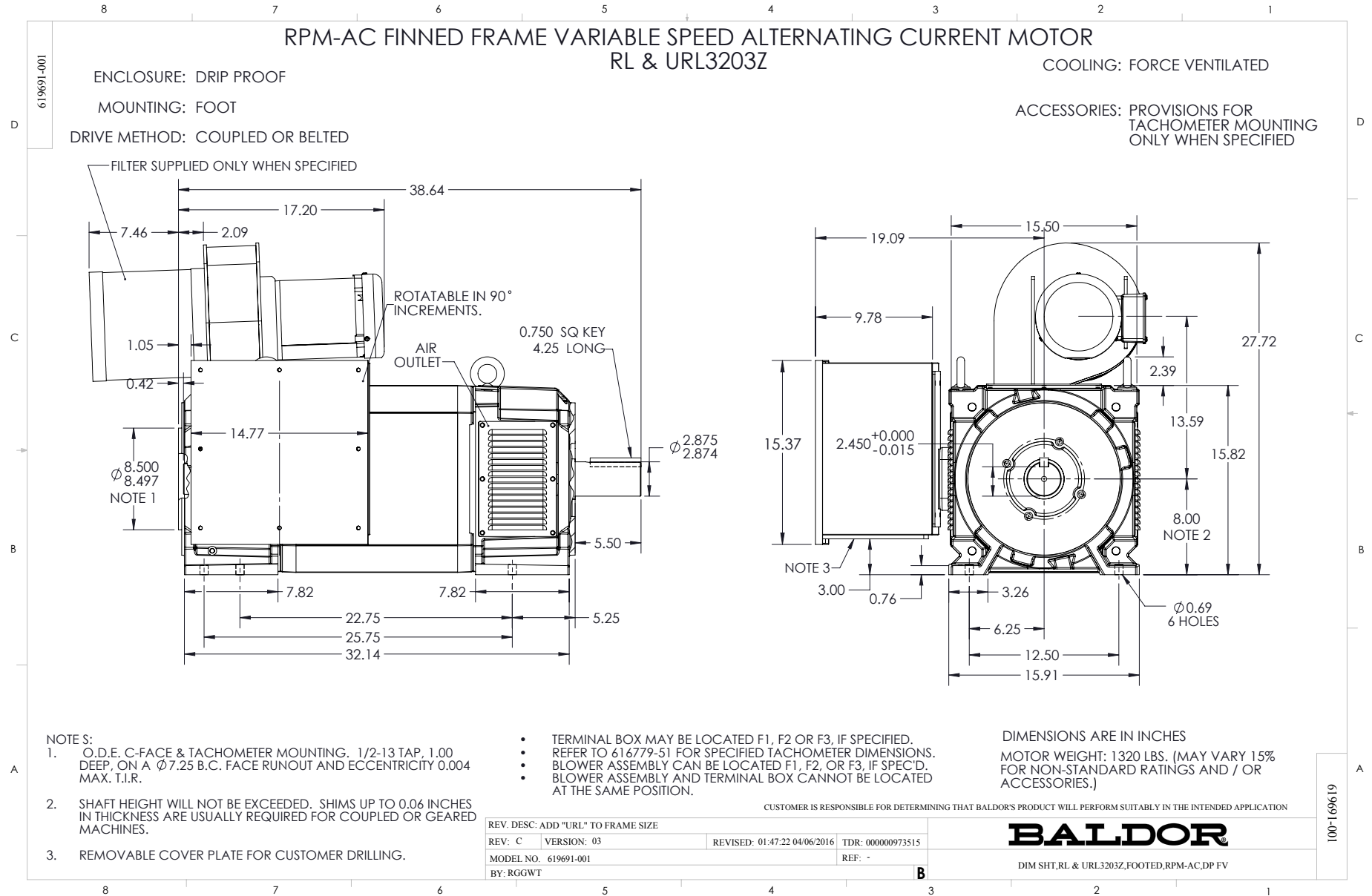
A-C MOTOR
PERFORMANCE
CURVES
 I/0339A
 SH 1 OF 2
 ISSUE DATE 02/22/99



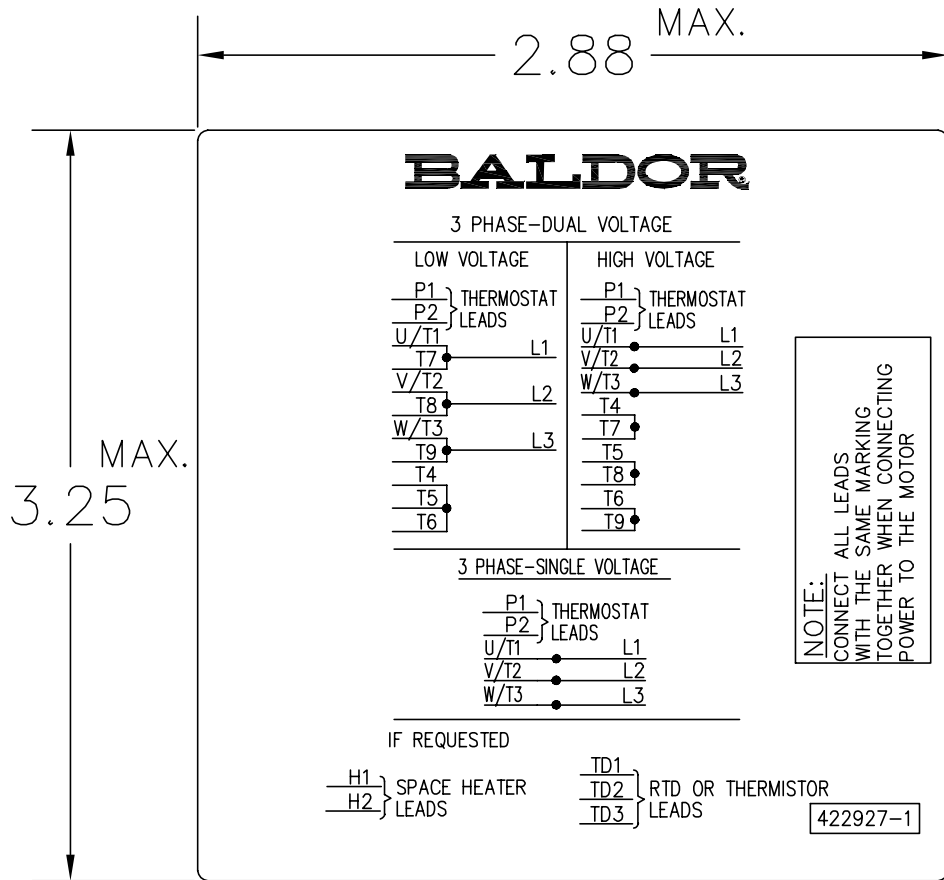
BALDOR
A MEMBER OF THE ABB GROUP

DR. BY J. MARTIN
CR. BY J. MARTIN
APP. BY T. EVON
DATE 11-23-15

A-C MOTOR
PERFORMANCE
CURVES
I/0339A
SH 2 OF 2
ISSUE DATE 02/22/99



422927-001



NOTE:
DATA TO BE SIZED
SO THAT IT FITS INTO
MATERIAL DECAL
DIMENSIONS. MAKE
LETTERS & NUMBERS
AS LARGE AS POSSIBLE.

MATERIAL: CERAMATIC DGF-P4
PERMA GRIP ADHESIVE

ALL LETTERS, NUMBERS
AND LINES TO BE BLACK
ON WHITE BACKGROUND.

422927-001

REV. DESC: CHANGE BACKGROUND COLOR FROM GOLD TO WHITE		
REV. LTR: B	VERSION: 02	TDR: 000000788708
FILE: \RGG\00000\203	REVISED: 08:09:29 03/04/2013	
MTL: -	BY: RGGWT	

BALDOR

EXTERNAL CONNECTION LABEL

SH 1 of 1

Marketing maintained PDF of MN406:

<http://www.baldor.com/support/Literature/Load.ashx/MN406?ManNumber=MN406>